

MEAS MS5837 SENSOR FOR GROVE SYSTEM

Digital Pressure Temperature Sensor

Performance

- 0bar to 2bar pressure range
- -40°C to 85°C temperature range
- Very low power consumption
- Operates 5V
- High resolution module 0.02mbar(0-2bar)
- Fast conversion time – 0.5 ms typical

The MS5837 sensor development board provides the necessary hardware to interface the MS5837 digital barometric pressure and temperature sensor to any system that utilizes Grove compatible expansion ports configurable for I²C communication. The MS5837 sensor is a self-contained pressure and temperature sensor that is fully calibrated during manufacture. The sensor module works in 5V voltage external. The sensor module includes a high-linearity pressure sensor and an ultra-low power 24-bits $\Delta\Sigma$ ADC with internal factory-calibrated coefficients.

Specifications

- Measures pressure from 0bar to 2bar
- Measures temperature from -40°C to 125°C
- I²C communication
- Fully calibrated
- Fast response time
- Very low power consumption

Features

- 4-pin Grove compatible connector
- I²C interface
- Parameters stored on chip



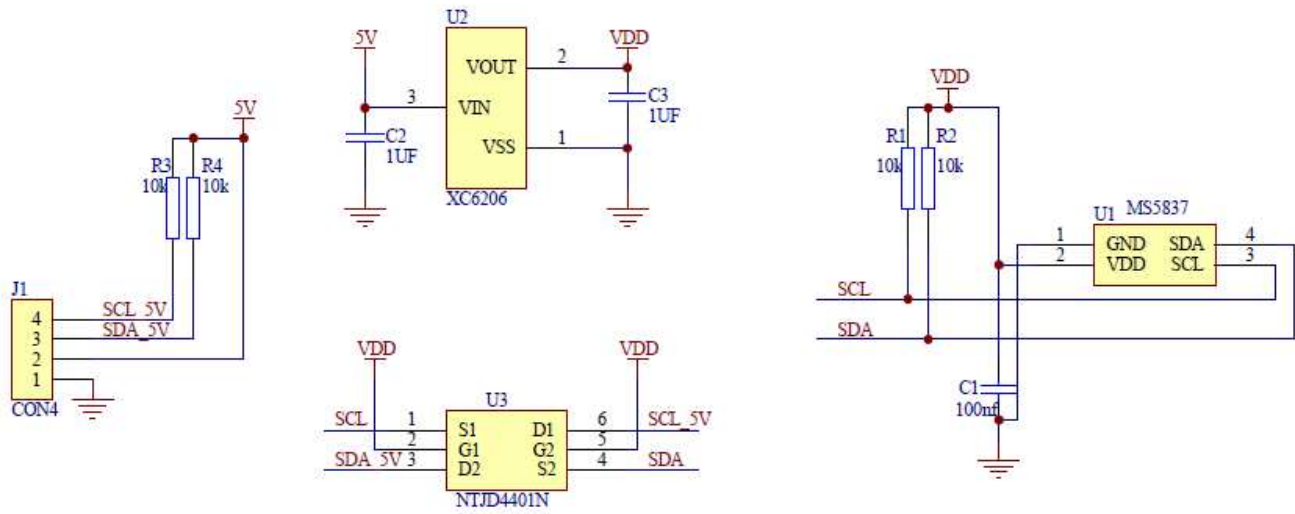
your distributor

AMSYS GmbH & Co.KG
 An der Fahrt 4, 55124 Mainz, Germany
 Tel. +49 (0) 6131 469 875 0
info@amsys.de | www.amsys.de

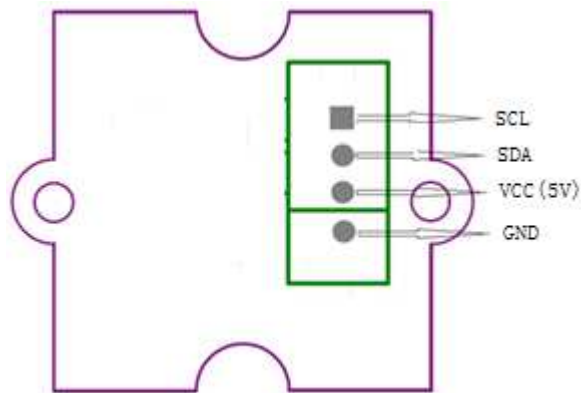
MEAS MS5837 FOR GROVE SYSTEM

Digital Pressure Sensor

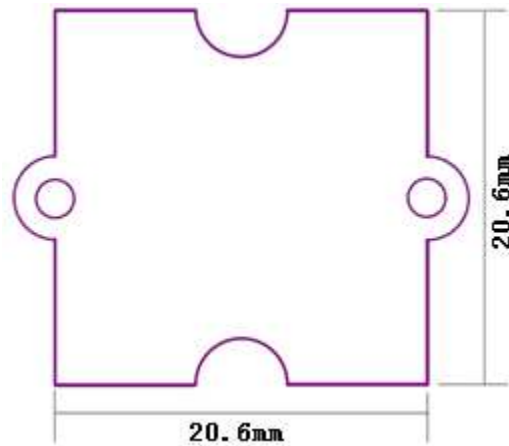
Schematic



Connector Pin Assignments (1²C Communications)



Dimensions (mm)



MEAS MS5837 FOR GROVE SYSTEM

Digital Pressure Sensor

Detailed Description

I²C Interface:

The MS5837 Grove compliant module can interface to the host in I²C model with 5V supply, it has a Grove compatible four pins port connector configured for I²C.

External Control Signals 5V supply:

The IC operates as an I²C slave using the standard 2-wire I²C connection scheme. As the IC is power rated at 3.6V, the board integrates the necessary fixture, such as a regulator and electrical level shift, so that the SCL and SDA signals could be driven directly from an external 5V I²C lines and power supply.

Reference Material

Detailed information regarding operation of the IC:

- [MS5837 Datasheet](#)

Ordering Information

Description	Part Number
MS5837 GROVE BOARD	DPP103G000



your distributor

AMSYS GmbH & Co.KG
An der Fahrt 4, 55124 Mainz, Germany
Tel. +49 (0) 6131 469 875 0
info@amsys.de | www.amsys.de

NORTH AMERICA

Measurement Specialties, Inc.,
a TE Connectivity Company
Phone: +1-800-522-6752
customercare.hmpt@te.com

EUROPE

MEAS France(Europe)
a TE Connectivity Company
Phone: +31 73 624 6999
customercare.tise@te.com

ASIA

Measurement Specialties (China), Ltd.,
a TE Connectivity Company
Phone: +86-400-820-6015
customercare.shzn@te.com

TE.com/sensorsolutions

Measurement Specialties, Inc., a TE Connectivity company.

Measurement Specialties (MEAS), American Sensor Technologies (AST), TE Connectivity, TE Connectivity (logo) and EVERY CONNECTION COUNTS are trademarks. All other logos, products and/or company names referred to herein might be trademarks of their respective owners.

The information given herein, including drawings, illustrations and schematics which are intended for illustration purposes only, is believed to be reliable. However, TE Connectivity makes no warranties as to its accuracy or completeness and disclaims any liability in connection with its use. TE Connectivity's obligations shall only be as set forth in TE Connectivity's Standard Terms and Conditions of Sale for this product and in no case will TE Connectivity be liable for any incidental, indirect or consequential damages arising out of the sale, resale, use or misuse of the product. Users of TE Connectivity products should make their own evaluation to determine the suitability of each such product for the specific application.

© 2017 TE Connectivity Ltd. family of companies All Rights Reserved.