

# AMS 4711

## Miniaturized pressure transmitter with 0 .. 5 V output

### FEATURES

- Calibrated and temperature compensated pressure sensor with 0 .. 5 V output voltage
- Differential / gage, bidirectional differential, absolute and barometric versions
- Wide variety of pressure ranges: 5 mbar up to 2 bar
- Piezoresistive sensing element
- High precision digital signal conditioning
- High accuracy at room temperature
- Low overall error within a temperature range of -25 .. +85°C
- Supply voltage range: 8 .. 36 V
- Compact and robust package
- Dust- and water-tight (IP67)
- M5 circular sensor connector
- Ready to use, simple and quick installation
- RoHS and REACH compliant

### GENERAL DESCRIPTION

AMS 4711 is a series of miniaturized pressure transmitters suitable for industrial applications and high precision measurements. All AMS 4711 can be powered within a supply voltage range of  $V_S = 8 \dots 36 \text{ V}$  and provide an industrial output voltage range of  $V_{OUT} = 0 \dots 5 \text{ V}$ . They are calibrated and temperature compensated in a wide temperature range of -25 .. +85°C.

AMS 4711 comes in a robust plastic package and is ready to use. Pressure is either applied via two barbed side ports for differential (relative) or bidirectional differential pressure transmitter types or via a single port for absolute or barometric types. The electrical connection is realized with an M5 circular sensor connector. AMS 4711's package is dust- and water-tight conforming to IP67.

The pressure transmitters in the AMS 4711 series are available for various applications and pressure ranges: Differential (relative) devices in pressure ranges from 0 .. 5 mbar up to 0 .. 2 bar, absolute pressure variants for 0 .. 1 bar and 0 .. 2 bar as well as a barometric type for 0.7 .. 1.2 bar. Bidirectional-differential devices are available from -5 .. +5 mbar up to -1 .. +1 bar for measurement of positive and negative differential pressure. Other pressure ranges and customized output voltage ranges are available on request.

### TYPICAL APPLICATIONS

- Static pressure sensing
- Dynamic pressure sensing
- Barometric pressure sensing
- Vacuum measurement
- Level measurement
- Gas flow measurement
- Heating, Ventilation and Air Conditioning (HVAC)



# AMS 4711

## Miniaturized pressure transmitter with 0 .. 5 V output

### PRESSURE RANGES

Pressure transmitter type (code)	Pressure type	Pressure range in mbar	Burst pressure <sup>1)</sup> in bar	Pressure range in PSI	Burst pressure <sup>1)</sup> in PSI
<b>Ultra low pressure</b>					
AMS 4711-0005-D	differential / relative	0 .. 5	>0.35	0 .. 0.073	>5
AMS 4711-0010-D	differential / relative	0 .. 10	>0.35	0 .. 0.145	>5
AMS 4711-0005-D-B	bidirectional differential	-5 .. +5	>0.35	-0.073 .. +0.073	>5
AMS 4711-0010-D-B	bidirectional differential	-10 .. +10	>0.35	-0.145 .. +0.145	>5
<b>Low pressure</b>					
AMS 4711-0020-D	differential / relative	0 .. 20	>0.5	0 .. 0.290	>7
AMS 4711-0050-D	differential / relative	0 .. 50	>1	0 .. 0.725	>15
AMS 4711-0100-D	differential / relative	0 .. 100	>1	0 .. 1.450	>15
AMS 4711-0020-D-B	bidirectional differential	-20 .. +20	>0.5	-0.290 .. +0.290	>7
AMS 4711-0050-D-B	bidirectional differential	-50 .. +50	>1	-0.725 .. +0.725	>15
AMS 4711-0100-D-B	bidirectional differential	-100 .. +100	>1	-1.450 .. +1.450	>15
<b>Standard pressure</b>					
AMS 4711-0200-D	differential / relative	0 .. 200	>5	0 .. 2.901	>72
AMS 4711-0350-D	differential / relative	0 .. 350	>5	0 .. 5.076	>72
AMS 4711-0500-D	differential / relative	0 .. 500	>5	0 .. 7.251	>72
AMS 4711-1000-D	differential / relative	0 .. 1000	>5	0 .. 14.50	>72
AMS 4711-2000-D	differential / relative	0 .. 2000	>5	0 .. 29.01	>72
AMS 4711-0200-D-B	bidirectional differential	-200 .. +200	>5	-2.901 .. +2.901	>72
AMS 4711-0350-D-B	bidirectional differential	-350 .. +350	>5	-5.076 .. +5.076	>72
AMS 4711-1000-D-B	bidirectional differential	-1000 .. +1000	>5	-14.50 .. +14.50	>72
AMS 4711-1000-A	absolute	0 .. 1000	>5	0 .. 14.50	>72
AMS 4711-2000-A	absolute	0 .. 2000	>5	0 .. 29.01	>72
AMS 4711-1200-B	barometric	700 .. 1200	>5	10.15 .. 17.40	>72

**Table 1: AMS 4711 standard pressure ranges (other ranges on request)**

#### Notes:

- 1) Burst pressure is defined as the maximum pressure, which can be applied to one pressure port relative to the other port (or while only one pressure port is connected) without causing damages / leaks.

### MAXIMUM RATINGS

Parameter	Minimum	Typical	Maximum	Units
Maximum supply voltage: $V_{S,max}$			36	V
Operating and storage temperature: $T$	-25		85	°C
Common mode pressure: $p_{CM}$ <sup>1)</sup>			5	bar

**Table 2: Maximum ratings**

#### Notes:

- 1) Common mode pressure is defined as the maximum pressure, which can be applied simultaneously on both pressure ports of a differential or bidirectional transmitter without causing damages, while no differential pressure is applied.

# AMS 4711

## Miniaturized pressure transmitter with 0 .. 5 V output

### SPECIFICATIONS

All parameters apply to  $V_S = 24\text{ V}$ ,  $T_{op} = 25^\circ\text{C}$  and  $R_L = 10\text{ k}\Omega$ , unless otherwise stated.

Parameter	Minimum	Typical	Maximum	Units
<b>Analog output signal</b>				
@ specified minimum pressure (see "pressure ranges") <sup>1)</sup>	0	< 0.025	0.05	V
@ specified maximum pressure (see "pressure ranges") <sup>1)</sup>		5		V
Full span output (FSO) <sup>2)</sup>		5		V
without pressure (only bidirectional differential types)		2.5		V
<b>Accuracy<sup>3)</sup> @ <math>T_{op} = 25^\circ\text{C}</math></b>				
Ultra low pressure types (5, 10 mbar)		$\pm 1.0$	$\pm 1.5$	%FSO
Low pressure types (20, 50, 100 mbar)		$\pm 0.5$	$\pm 1.0$	%FSO
Standard pressure types ( $\geq 200$ mbar)		$\pm 0.5$	$\pm 1.0$	%FSO
<b>Overall error<sup>4)</sup> @ <math>T_{op} = -25 \dots 85^\circ\text{C}</math></b>				
Ultra low pressure types (5, 10 mbar)		$\pm 1.5$	$\pm 2.5$	%FSO
Low pressure types (20, 50, 100 mbar)		$\pm 1.0$	$\pm 2.0$	%FSO
Standard pressure types ( $\geq 200$ mbar)		$\pm 0.7$	$\pm 1.5$	%FSO
Long term stability			< 0.5	%FSO/a
Nonlinearity <sup>5)</sup>	-0.3	< 0.1	0.3	%FSO
Resolution analog output signal			0.05	%FSO
Supply voltage ( $V_S$ to GND)	8	24	36	V
Current consumption			5	mA
Response time (10% .. 90% rise time)		1	2	ms
Load resistor $R_L$	2			k $\Omega$
Capacitive load			50	nF
Dependency of $V_{OUT}$ on $V_S$ <sup>6)</sup>			< 0.1	%FSO
Pressure Changes	$10^6$			
Compensated operating temperature range $T_{OP}$	-25		85	$^\circ\text{C}$
Weight without cable		20		gram
Media compatibility		See notes <sup>7), 8)</sup>		
Protection classification <sup>9)</sup>		IP67		

**Table 3: Specifications**

#### SPECIFICATION NOTES:

- 1) Pressure ranges are specified in *Table 1*.
- 2) The Full Span Output (FSO) is the algebraic difference between the output voltage at the specified minimum pressure and the output voltage at the specified maximum pressure (nominal FSO = 5 V).
- 3) The accuracy is defined as the maximum deviation of the measurement value from the ideal transfer function at room temperature (RT) in %FSO including the adjustment error (offset and span), nonlinearity, pressure hysteresis and repeatability. Nonlinearity is the measured deviation from the best fit straight line (BFSL) across the entire pressure range. Pressure hysteresis is the maximum deviation of the output value at any pressure within the specified range when the pressure is cycled to and from the specified minimum or maximum pressure. Repeatability is the maximum variation of the output value at any pressure within the specified range over 10 pressure cycles.
- 4) The overall error is defined as the maximum deviation of the measurement value from the ideal transfer function in %FSO across the entire temperature range (-25 ... 85  $^\circ\text{C}$ ).

# AMS 4711

## Miniaturized pressure transmitter with 0 .. 5 V output

- 5) Defined as best fit straight line (BFSL).
- 6) The given value is the maximum deviation from the output voltage at  $V_S = 24\text{ V}$  over the complete supply voltage range at any pressure in the specified range. It is normalized to the FSO.
- 7) Media compatibility of pressure port 1 (for a description of port 1, see *Figure 3*): fluids and gases non-corrosive to ceramics, silicon, Pyrex, RTV silicone rubber and Zytel PA66.
- 8) Media compatibility of pressure port 2 (for a description of port 2, see *Figure 3*): clean, dry gases, non-corrosive to ceramics, silicon, RTV silicone rubber, gold, tin and Zytel PA66 (alkaline or acidic liquids can destroy AMS 4711)
- 9) With tubes connected to port 1 and port 2 for differential and bidirectional differential pressure transmitters and with a tube connected to port 2 for absolute and barometric pressure transmitters.

### FUNCTIONAL DESCRIPTION

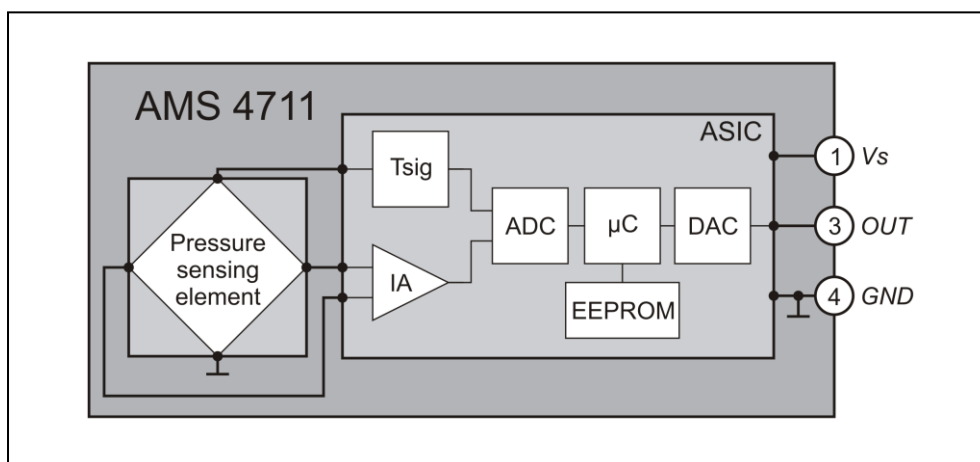
AMS 4711 uses a piezoresistive silicon chip as sensing element and a mixed-signal integrated circuit (ASIC) for signal conditioning, which are assembled together on a ceramic substrate and housed in a robust plastic package.

The physical pressure, which is applied to the transmitter's pressure ports is measured at AMS 4711's piezoresistive pressure sensing element. There the pressure is converted into a differential voltage signal, which is almost proportional to the pressure. This differential voltage signal is converted into a standardized analog output voltage of  $V_{OUT} = 0..5\text{ V}$  by the signal-conditioning ASIC.

The signal-conditioning is done in the following way (see *Figure 1*):

At first the sensing element's differential voltage signal is pre-amplified and converted into a digital signal using a 14-bit A/D converter (ADC). This digitized pressure signal is processed mathematically by the ASIC's integrated microcontroller unit. To achieve a calibrated and temperature compensated output signal the microcontroller unit uses individual correction coefficients and a mathematical correction algorithm, which are stored in the ASIC's EEPROM during AMS 4711's factory calibration process. The temperature value needed for the temperature compensation is measured directly at the piezoresistive sensing element, too. To obtain an analog output voltage the corrected digital signal is converted back into an analog voltage by an 11-bit D/A converter (DAC).

The standardized output voltage  $V_{OUT} = 0..5\text{ V}$  (or  $2.5\text{ V} \pm 2.5\text{ V}$  for bidirectional differential types) is a linear function of the applied pressure.<sup>1</sup> It is independent of the applied supply voltage.



**Figure 1: AMS 4711's block diagram**

<sup>1</sup> The applied pressure is the pressure difference between port 1 and port 2 for differential and bidirectional differential pressure transmitters. For relative pressure types it is the pressure difference between port 1 and ambient pressure and for absolute and barometric pressure types it is the pressure at port 2 (for the definition of ports see *Figure 3*).

# AMS 4711

## Miniaturized pressure transmitter with 0 .. 5 V output

### INITIAL OPERATION

AMS 4711's package provides a dust- and water-tight protection and a maintenance-free lifetime. The package can be screw mounted in a fast and easy way using the two through bores ( $\varnothing$  3.2 mm) at the package's edges.

The electrical connection is established using the integrated M5 circular sensor connector (for pinout see *Figure 3*) and a suitable cable with female M5 sensor connector (see "additional equipment"). As shown in *Figure 2* pin 1 (Vs) is directly connected to the power supply's positive output and pin 4 (GND) is connected to GND. Pin 3 can be connected to a voltmeter directly to measure the output signal voltage  $V_{OUT}$  (referenced to GND) or a load resistor  $R_L$  can be connected between pin 3 and GND and  $V_{OUT}$  can be measured parallel to  $R_L$ .

AMS 4711's output voltage  $V_{OUT} = 0 \dots 5$  V at pin 3 (OUT) is a linear function of the applied pressure and does not depend on the supply voltage. Please take care that the power supply is set to a voltage in the range between 8 and 36 V and that it is able to source at least 5 mA (for  $R_L \geq 10$  k $\Omega$ )

The pressure connection is made using the package's pressure ports (barbed hose connectors). Depending on the type of pressure transmitter and measuring pressure one or two of the pressure ports are connected to the measuring media/volume. For the pressures at port 1 and port 2 (for port definition see *Figure 3*) the following requirements have to be fulfilled, where  $p_1$  is the pressure at port 1 and  $p_2$  is the pressure at port 2:

for differential pressure (type AMS 4711-XXXX-D):

$$p_1 > p_2$$

for relative / gage pressure (type AMS 4711-XXXX-D):

$$p_1 > p_{ambient}, p_1 = \text{measuring pressure}$$

for bidirectional differential pressure (type AMS 4711-XXXX-D-B):

$$p_1 > p_2 \text{ or } p_1 < p_2 \text{ possible}$$

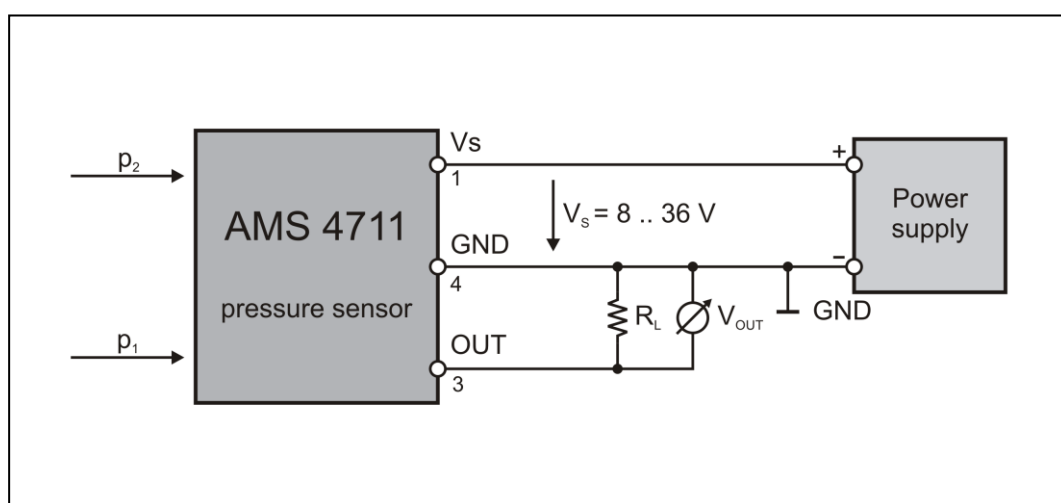
for absolute pressure (type AMS 4711-XXXX-A):

$$p_2 = \text{measuring pressure}$$

for barometric pressure (type AMS 4711-XXXX-B):

$$p_2 = \text{measuring pressure}$$

The maximum pressures (see *Table 1*) and the guidelines concerning media compatibility (see specification notes 7) and 8)) have to be taken into account.



**Figure 2: Electrical connection of AMS 4711**

# AMS 4711

## Miniaturized pressure transmitter with 0 .. 5 V output

### DIMENSIONS AND PINOUT

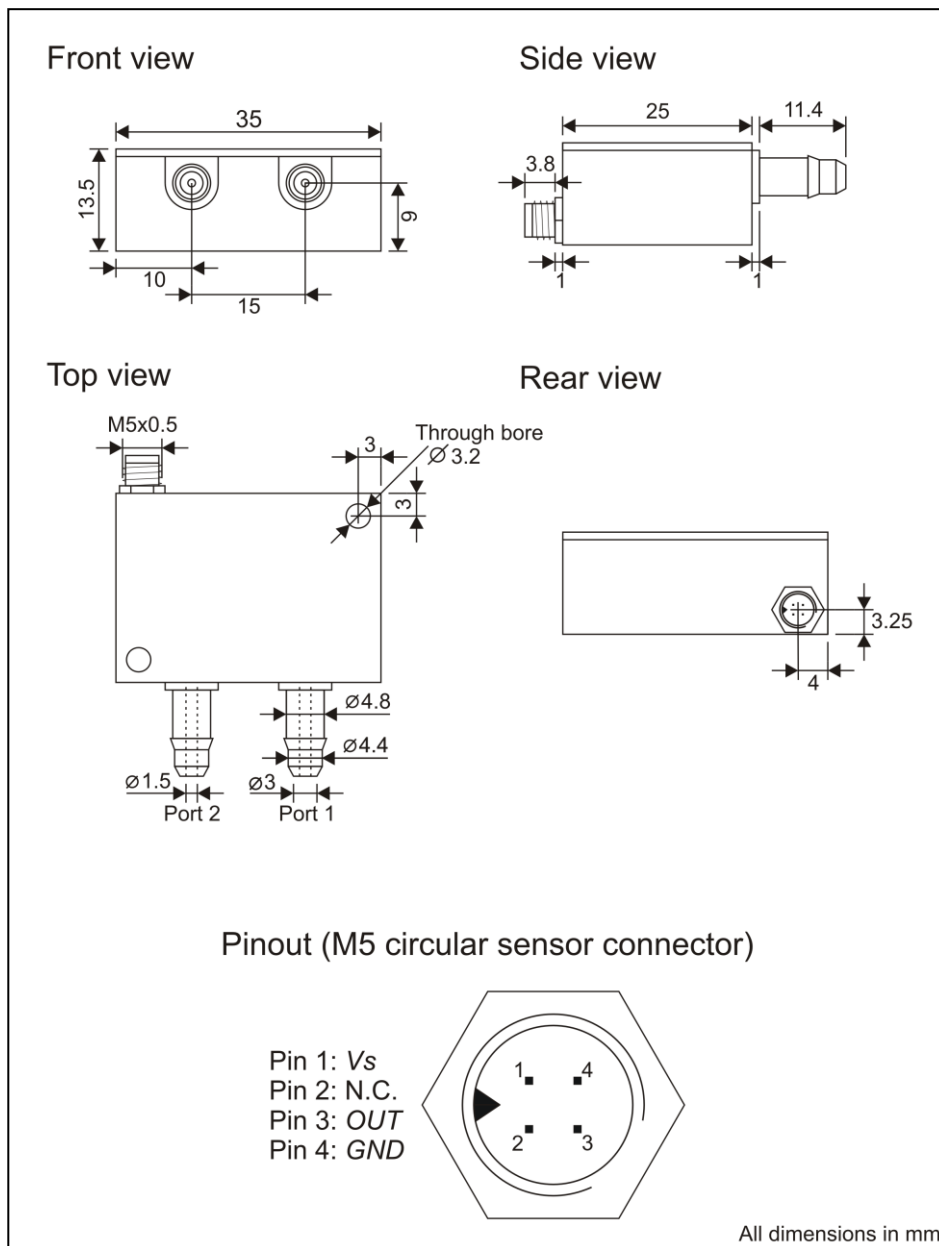


Figure 3: Dimensions and pinout of AMS 4711's package

#### Notes:

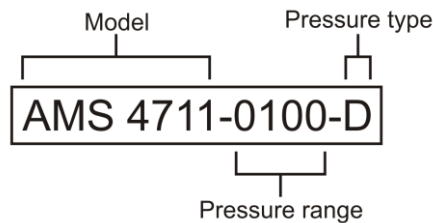
- 1) For absolute and barometric pressure transmitters only port 2 is available.
- 2) Package material is Zytel PA66.
- 3) The electrical connection is established using an M5 sensor connector series 707 from Binder GmbH.
- 4) For pressure connections Analog Microelectronics recommends a silicone tubing (inner diameter  $\varnothing_{ID} = 3.2 \text{ mm}$ , outer diameter  $\varnothing_{OD} = 6.4 \text{ mm}$ ) or a soft PU tubing ( $\varnothing_{ID} = 4 \text{ mm}$ ,  $\varnothing_{OD} = 6 \text{ mm}$ ).
- 5) If silicone tubing is used, it is recommended to use hose clamps to reduce the risk of leaks.

# AMS 4711

## Miniaturized pressure transmitter with 0 .. 5 V output

### INFORMATION FOR ORDERING

Ordering code:



Pressure range:

Pressure range code	mbar	PSI	kPa
0005	5	0.073	0.5
0010	10	0.145	1
0020	20	0.290	2
0050	50	0.725	5
0100	100	1.450	10
0200	200	2.901	20
0350	350	5.076	35
0500	500	7.251	50
1000	1000	14.50	100
1200	1200	17.40	120
2000	2000	29.01	200

Table 4: Pressure ranges

Pressure type:

Pressure type code	Available pressure ranges
D differential / relative (gage)	0 .. 5 mbar to 0 .. 2000 mbar
D-B bidirectional differential	-5 .. +5 mbar to -1000 .. +1000 mbar
A absolute	0 .. 1000 mbar and 0 .. 2000 mbar
B barometric (absolute)	700 .. 1200 mbar

Table 5: Pressure types

### ADDITIONAL EQUIPMENT

ORDER NUMBER	DELIVERY FORM
AMS4711-CABLE	3-wire cable with mating M5 sensor connector (2 m long) wiring: brown – Vs, blue – OUT, black – GND
AMS4711-PU-TUBING	matching soft PU-Tubing (please order in m)

your distributor  
[www.amsys.de](http://www.amsys.de)



# AMS 4711

Miniaturized pressure transmitter with 0 .. 5 V output

## NOTES



Analog Microelectronics GmbH reserves the right to amend any dimensions, technical data or other information contained herein without prior notification.